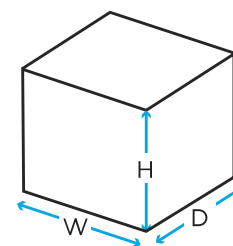


IBC Hardcover

Technical Data

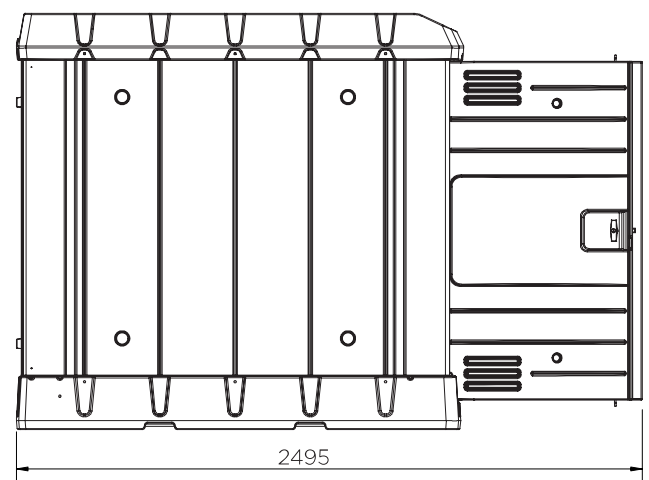
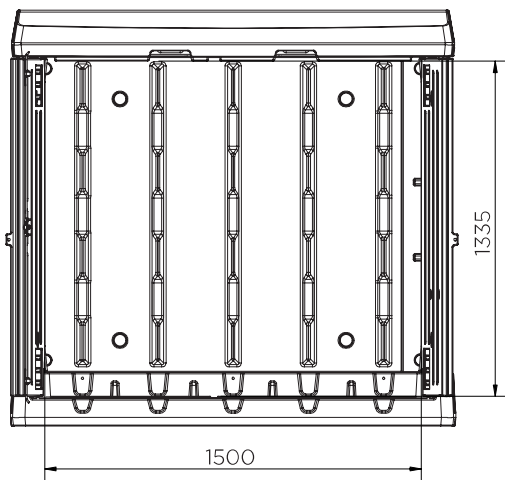
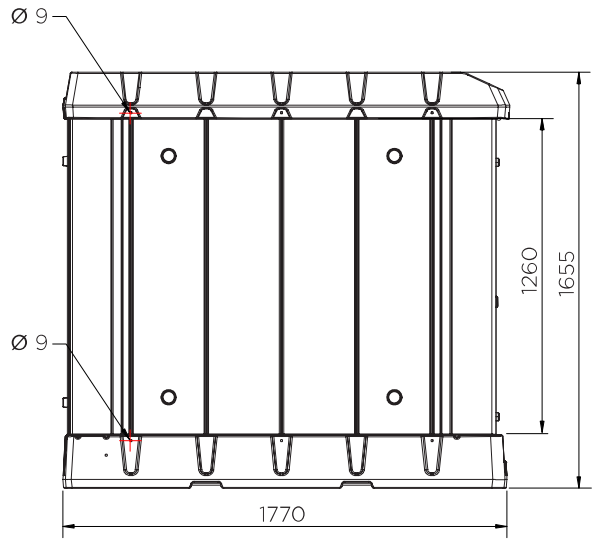
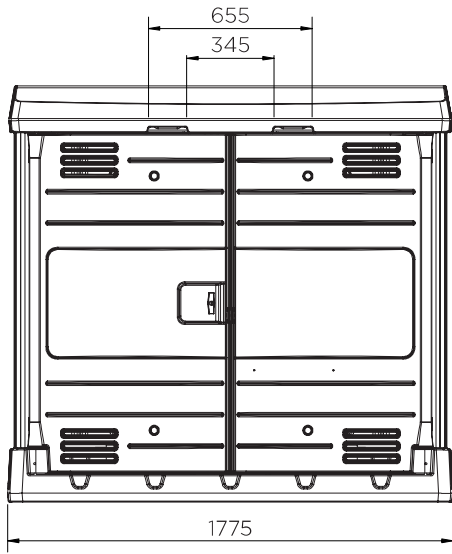


	Colour	H x W x D (mm)	Weight (kg)	Capacity (l)	Max. load (kg)	Spill Pallet	DIBt
HC1-YE-YE	●	2265 x 1775 x 1770	221	1260	2500	SJ-510-001	-
HC1-BK-YE/D	●			1000*	2000	SJ-510-002/D	Z-40.22-451

*Measured to underside of platform

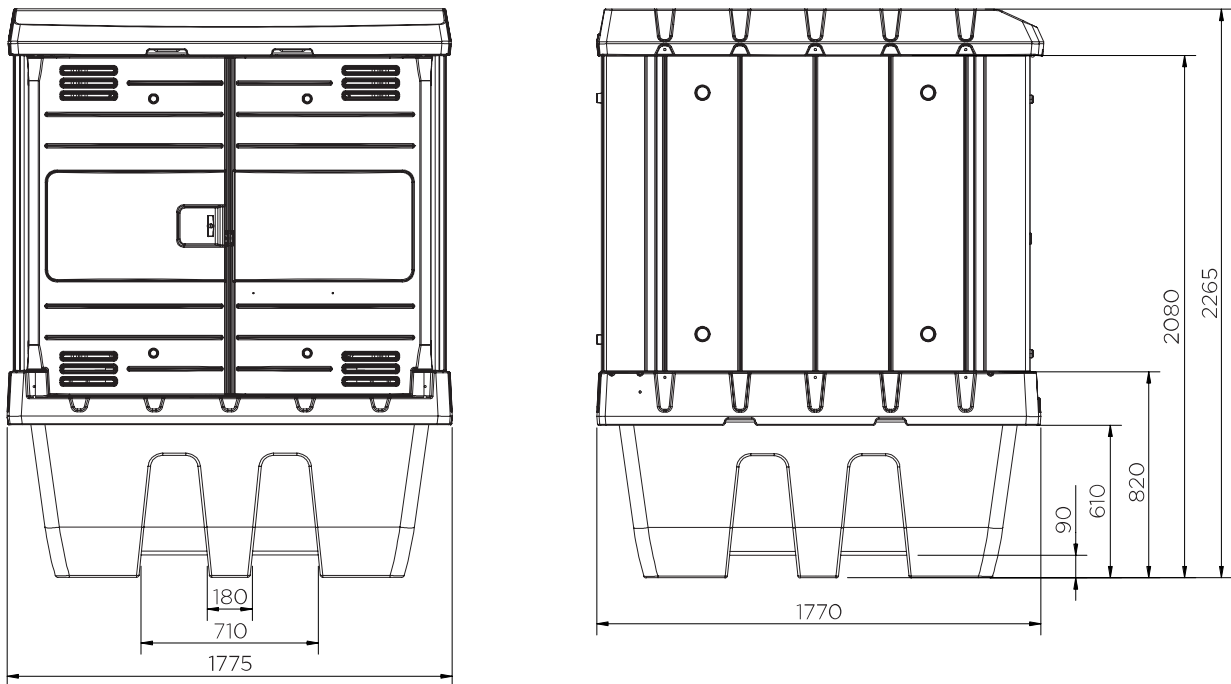
IBC Hardcover

Technical Data



IBC Hardcover

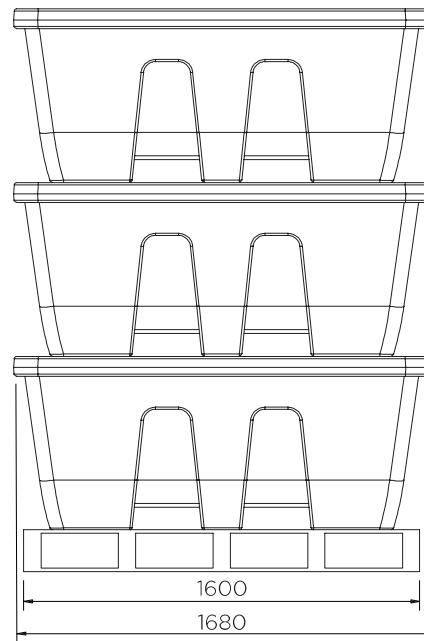
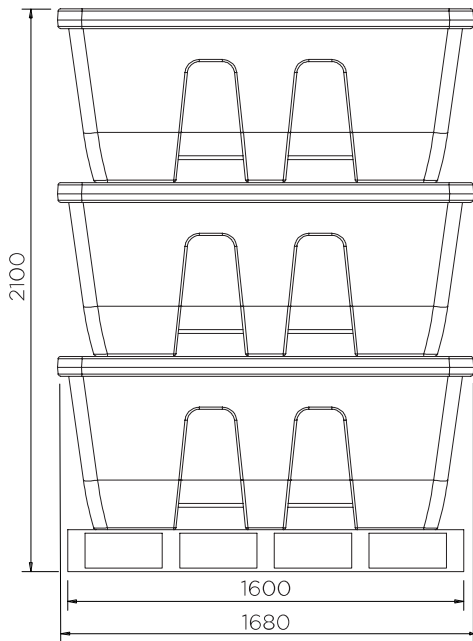
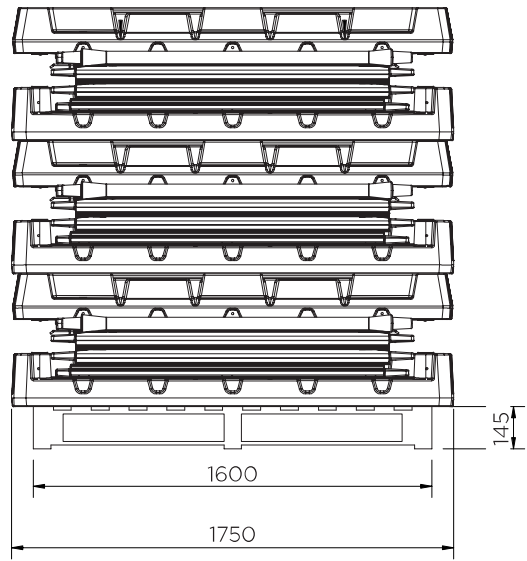
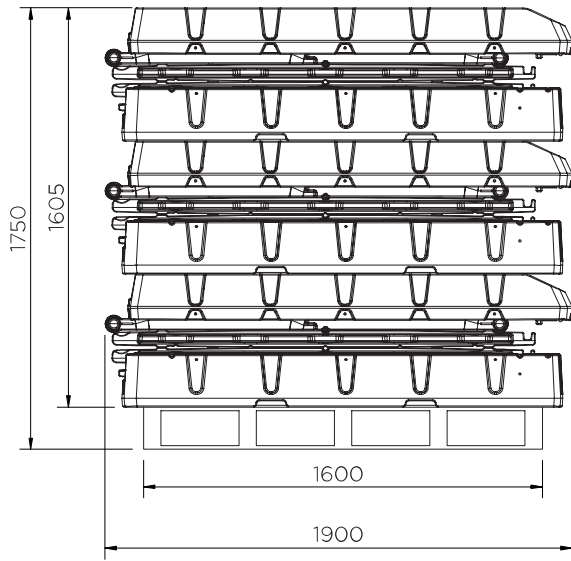
Technical Data



The information is to our best knowledge true and accurate but all recommendations or suggestions are made without guarantee.

IBC Hardcover

Technical Data



HC1-YE-YE

Pieces per pallet

3

The information is to our best knowledge true and accurate but all recommendations or suggestions are made without guarantee.